



FIG 1
230 V HIGH & LOW AMBER NEONS - POWERED FROM 230 V SUPPLY

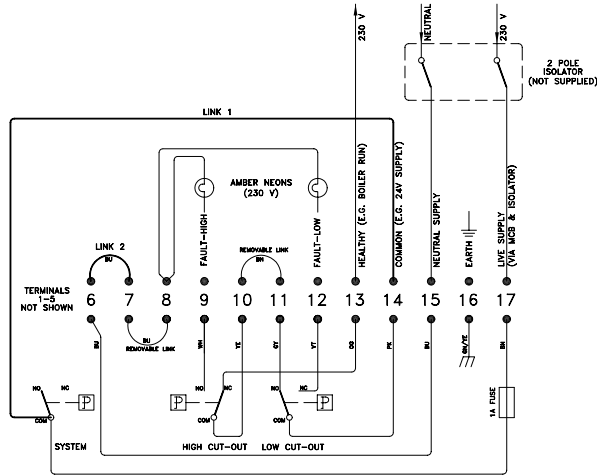


FIG 2
24 V HIGH & LOW RED LAMPS - POWERED FROM 24 V SUPPLY WITH COMMON NEUTRAL

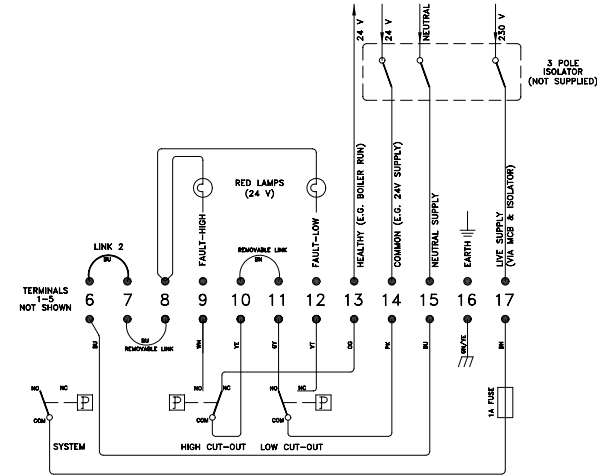
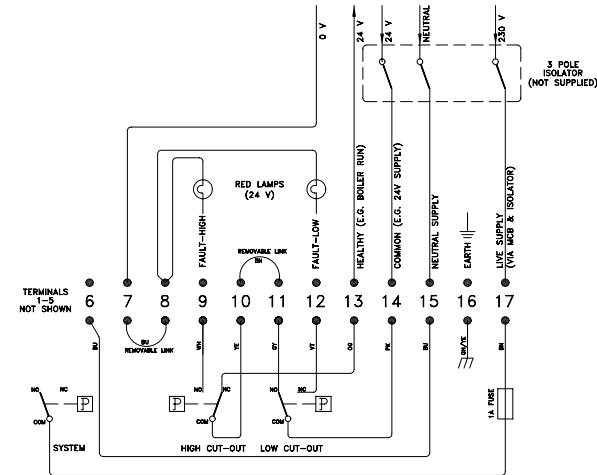


FIG 3
24 V HIGH & LOW RED LAMPS - POWERED FROM 24 V SUPPLY WITH SEPARATE RETURN



INSTALLATION INSTRUCTIONS
CONTENTS -

- 2 AMBER NEONS (230 V)
- 2 RED LAMPS (24 V)
- LINK 1 (BROWN LEAD WITH PIGGYBACK/FERRULE)
- LINK 2 (BLUE WITH TWO FERRULES)

WARNING - ENSURE ISOLATOR ISOLATES ALL SUPPLIES TO THE UNIT

1. ESTABLISH THE CONTROL WIRING VOLTAGE AND ARRANGEMENT.
2. REMOVE PLASTIC BLANKING PLUGS.
3. INSERT RED (24 V) OR AMBER (230 V) LAMPS.
4. FIT LAMP RETAINING RING.
5. CONNECT LAMP LEADS.
6. FIT LINK WIRES AS REQUIRED - SEE FIGS 1, 2 & 3
7. TEST.

ARROW VALVES LTD
68 HIGH STREET
TRING HERTS
HP23 4AG
Tel: 01442 823 123 Fax: 01442 823 234
e-mail: info@arrowvalves.co.uk
web: www.arrowvalves.co.uk

TITLE: **AUTOFILL LAMP WIRING INSTUCTIONS**

DRN: SHG CHECKED BY: DATE: © 2008

This drawing is the property of Arrow Valves Ltd and must not be copied without prior written permission

MATERIAL:
FINISH: SCALE: 50%
DRG No: AM078B DATE: 11/06/08