

Standpipe Assembly - Model SPBA - Commercial Use – Fluid Category 4 - Datasheet – Page 1 of 2

Description

Industrial and tamperproof Standpipe assembly with hose outlet for use in commercial areas. The Standpipe is intended for permanent fixture and houses a Reduced Pressure Zone valve (*type BA device*), which provides backflow protection to Fluid Category 4. The Standpipe is normally supplied with mains water from a buried supply pipe but can also be supplied above ground from the rear.

The Standpipe is supplied fully assembled and tested. A DZR brass compression fitting for MDPE is included and no additional parts are normally necessary – see *Options*.

The Standpipe is supplied with a brass quick release hose connector, which is compatible with the Hozelock system.



Side View

*Model SPBA15x25
Shown with optional long shackle padlock, which locks the operating valve and access door.
The integrated drain tap enables standpipe to be drained when not in use*

Applications (limited to Fluid Category 4)

- Mini irrigation systems
- Dairies & food preparation areas
- Brewery & distillation plants
- Commercial & industrial yards
- Car washing & degreasing plants
- Garages & vehicle washing areas
- Wash down areas with chemicals
- General wash down – Fluid Category 3 or 4

Frost Protection

The valve on the vertical post controls the flow from the outlet and the associated drain valve allows all water to drain from the BA device. Insulation is provided for the supply pipe. The robust galvanised steel housing also provides a degree of frost protection for the control valve and supply pipe. Where the unit is to be used in areas subject to freezing, trace heating should be provided or the unit left fully drained.

The assembly is powder coated dark green as standard. The Standpipe can be bolted to a concrete floor or mounted on the optional "Pile". The hot-dip galvanised Pile can be buried in soft ground or in an area to be subsequently concreted. M12 stainless bolts are provided to bolt the Pile and Standpipe together. The mating flanges would normally be positioned 30 mm above ground but for aesthetic reasons in gardens the flanges may be buried up to 50 mm beneath the soil surface. All operating and servicing controls are accessible from the front.

Security

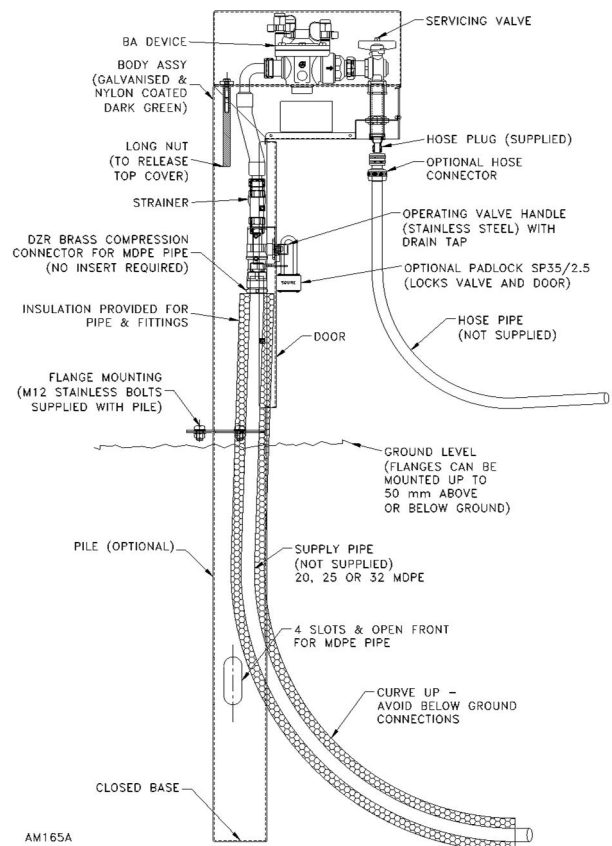
A single long stainless shackle padlock locks the valve in the closed position and secures the door. The padlock can be positioned to secure the door leaving the control handle unlocked. Access to the BA device is via the locked door.

Upgradeable

The Standpipe is also available with a Double Check Valve instead of an RPZ Valve. The unit can easily be upgraded in the future with a BA device. This flexible solution allows the protection to be increased to meet changing use or water company reassessment (see *Water Regulations*). For permanent Fluid Category 3 use - see model SPED.

Specification

Pressure Supply	10 bar max.
Pressure Supply	1 bar min.
Supply Size	20, 25, 32 MDPE (15, 22, 28 Cu)
Outlet Connection	¾" male with hose plug
Approval (complete)	KIWA UK 1010704
Complies with the relevant requirements of AIM-08-01	



Water Regulations

The assembly complies with the requirements of the Water Regulations and AIM-08-01 when installed and used correctly. The unit features the mandatory upstream and downstream isolating valves and a strainer. The BA device fitted provides adequate protection against Fluid Category 4 risks - these risks are largely commercial (i.e. non house). For Category 5 risks (waste bins, farm yards, abattoirs, etc), use model SPED with a Break Tank with Type AB air gap - see "Boost-A-Break" model BTAB. The local water supplier should be consulted regarding the level of protection required.

Arrow Valves Ltd

Tel: 01442 823123 Fax: 01442 823234

www.arrowvalves.co.uk

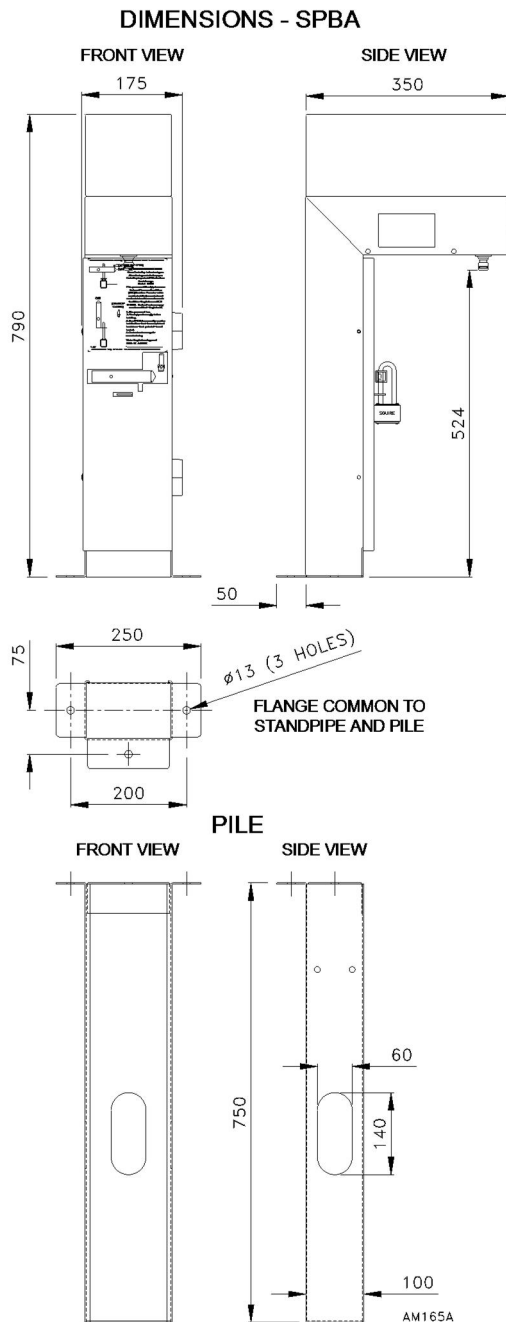
info@arrowvalves.co.uk

Arrow Valves Ltd reserve the right to change specifications, design and materials at any time without notice. All unit-less dimensions in mm.

© Copyright Arrow Valves Ltd 2001-2012



Standpipe Assembly - Model SPBA - Commercial Use – Fluid Category 4 - Datasheet – Page 2 of 2



Connection Pipes

The supply pipe should be laid 750 mm below ground (G7.7). The pile has several slots to allow MDPE pipes to be curved up (radius 20D), thus avoiding underground connections.

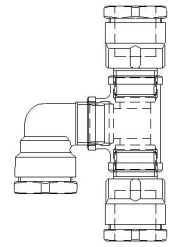
The Pile and Standpipe can accommodate two pipes; thus allowing the supply to continue to other Standpipes or fittings. Again all the connections for the Tee are above ground and serviceable - use the optional "2-Pipe Tee Assy". In polluted ground areas plastic pipe without barrier should not be used. Compression connections for copper tube available.

Materials

Standpipe and panels	2.5 mm steel – galvanised
Nylon coating	Dark Green - RAL6005
Pile	2 mm steel – hot dip galvanised
MDPE Connectors	DZR brass (no insert required)
Fasteners	Stainless steel A2
Control Valve	Brass, PTFE seats

2-Pipe Tee Assy

This assembly allows two pipes to be connected to the Standpipe. Thus enabling "daisy-chaining" to additional standpipes and avoiding underground connections. The unit fits inside the Standpipe and is accessible through the front panel. Features DZR brass O-ring and grab ring fittings



Hose Connector *Hose Plug*
($\frac{1}{2}$ " or $\frac{3}{4}$ " hose) (common)

Hose Connectors

A common hose plug is supplied with the Standpipe. The $\frac{1}{2}$ " and $\frac{3}{4}$ " Standpipes are supplied with the corresponding hose connector as standard

Options

- Pile for mounting Standpipe in soft ground
- 2-Pipe Tee Assy (20, 25 or 32 mm MDPE connection)
- Powder coating (nylon). Standard colour - dark green (RAL6005). Others available
- Long shackle padlock c/w 2 keys
- Range of industrial hose quick connectors in brass or stainless steel, including GEKA.
- Wash down guns
- Below ground Servicing Valve and Water Meter (see model SPED datasheet for more information)
- Standpipe trace heating

Codes and Descriptions

Size	Code	Description
$\frac{1}{2}$ "	SPBA15x20	$\frac{1}{2}$ " Standpipe RPZ Cat 4 c/w 20 MDPE Inlet
$\frac{1}{2}$ "	SPBA15x25	$\frac{1}{2}$ " Standpipe RPZ Cat 4 c/w 25 MDPE Inlet
$\frac{3}{4}$ "	SPBA20x25	$\frac{3}{4}$ " Standpipe RPZ Cat 4 c/w 25 MDPE Inlet
$\frac{3}{4}$ "	SPBA20x32	$\frac{3}{4}$ " Standpipe RPZ Cat 4 c/w 32 MDPE Inlet
	SP35/2.5	Padlock c/w 2 Keys KA - Long Shackle
20 mm	SP20TEE	2-Pipe Tee Assy for 20 mm MDPE
25 mm	SP25TEE	2-Pipe Tee Assy for 25 mm MDPE
All	SPPILE	Pile for Soft Ground c/w M12 SS Fasteners
20 mm	BVBG20	Servicing Valve Below Ground 20 MDPE
20 mm	BVBGM20	Serv. Valve Below Ground Meter 20 MDPE
25 mm	BVBG25	Servicing Valve Below Ground 25 MDPE
25 mm	BVBGM25	Serv. Valve Below Ground Meter 25 MDPE
32 mm	BVBG32	Servicing Valve Below Ground 32 MDPE
32 mm	BVBGM32	Serv. Valve Below Ground Meter 32 MDPE
All	BVBGKEY	Long Water Box Key for HUBG / BVBG
DN15	HUG7903	Hose Connector Inter-Lock Socket
DN20	HUG7933	Hose Connector Inter-Lock Socket
DN15	HUG7944	Spray Gun Medium Duty Var. Vol Inter-Lock
DN15	HU15NTBIL	Washdn Gun Heavy Brass Intlock Hose Con

Notes

To specify an over or undersize inlet connection, replace the last two digits. E.g. SPBA15x25 is a $\frac{1}{2}$ " (DN15) Standpipe with 25 mm MDPE inlet. Similarly SPBA15x15C is a $\frac{1}{2}$ " (DN15) Standpipe with 15 mm copper compression inlet.

Once installed and before use, the BA device must be commissioned by an "Accredited Tester". The valve must be retested annually – see AIM-08-01. Arrow Services has Testers throughout England and this service is offered with the valve sale.

Arrow Valves Ltd

Tel: 01442 823123 Fax: 01442 823234
www.arrowvalves.co.uk
info@arrowvalves.co.uk

Arrow Valves Ltd reserve the right to change specifications, design and materials at any time without notice.

All unit-less dimensions in mm.
© Copyright Arrow Valves Ltd 2001-2012

