

Pipe Interrupter – Type DC

Model DC257 – With Permanent Atmospheric Vent - Datasheet

Description

The model DC257 DC Pipe Interrupter is a backflow prevention device primarily for urinals – enabling flushing directly from the mains supply. Traditional flushing cisterns are not required.

DC Pipe Interrupters provide Fluid Category 5 protection. DC Pipe Interrupters are approved for backsiphonage protection (vacuum on the supply).

The DC257 has a unique nozzle and an internal shroud, which prevents leakage through the vent hole in normal use. Negligible restriction should exist downstream - otherwise water would discharge ultimately through the vent hole.

DC Pipe Interrupters are intended for open outlet applications (e.g. urinal flushing) and must not be used for washing machines, hose union taps or any appliance that has a control valve or restriction.

Connection Pipes

15 mm comp. Remove nuts to create ½” male connections.

Specification

Pressure Supply 10 bar max.
 Temperature 60°C max.
 Approval KIWA UK A030255

Materials

Body Brass – Chrome Finish
 Nozzle Brass

Applications

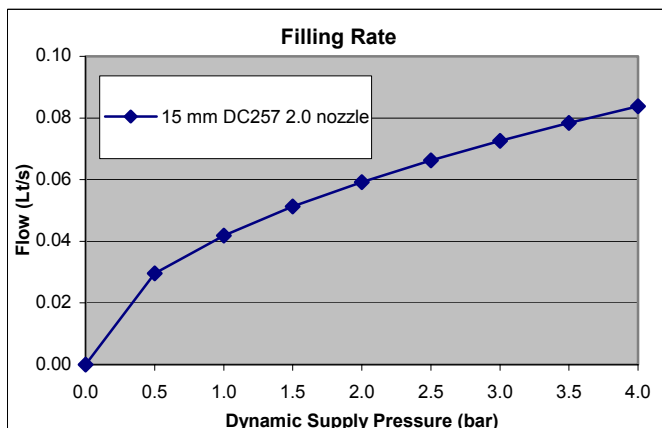
The main application is urinal flushing, where the DC device allows mains or boosted water to flush the urinal bowl without a cistern.

Installation

DC Pipe Interrupters will discharge water through the vent hole if the outlet is significantly restricted or blocked. The device must be mounted vertically with the inlet at the top. Note flow direction arrow.

The device must be installed at least 300 mm above the highest outlet or spillover level and at least 150 mm above the sparge outlet. **In practice, the device generally needs to be mounted 1.0 – 2.0 m above the sparge outlet.** This creates a greater head, reducing the possibility of discharge through the vent holes.

Do not fit any valves downstream of the DC Device. The downstream pipe should be vertical and initially full bore.



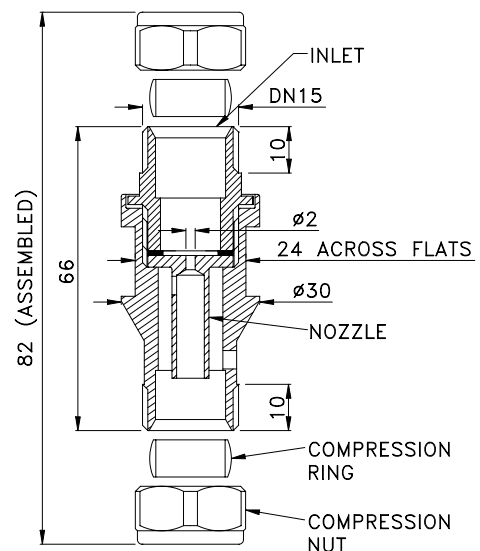
Model DC257 – designed specifically for urinals

Water Regulations

The new Water Regulations allow approved DC Pipe Interrupters to be used for Fluid Category 5 Applications.

Regulation Table S15.2 states – “Arrangements incorporating a type DC device shall have no control valves on the outlet of the device; they shall be fitted not less than 300 mm above the spillover level of a WC pan, or 150 mm above the sparge outlet of a urinal, and discharge vertically downwards.”

Dimensions



Codes and Descriptions

Size	Code	Description
DN15	DC15C257	Pipe Interrupter DC CAT5 Model 257 Comp

Arrow Valves Ltd

Tel: 01442 823123 Fax: 01442 823234
 www.arrowvalves.co.uk
 info@arrowvalves.co.uk

Arrow Valves Ltd reserve the right to change specifications, design and materials at any time without notice.
 All unit-less dimensions in mm.
 © Copyright Arrow Valves Ltd 2003-2011

