



Installation Instructions / Operating & Maintenance Manual Automatic Flow Limiting Valve Model AFL



Model Shown – AFL15CL

FOREWORD

The Automatic Flow Limiting (AFL) Valve is a quarter turn Servicing Valve with a ball capable of accepting an range of AFL Cartridges which limit the flow of hot and cold water according to the colour-coding. A side port allows the Cartridge to be fitted inside the ball after the valve has been installed. Cartridges can be removed in service through the side port without having to drain the system.

In addition to eight AFL Cartridges; Strainers, Single and Double Check Valves are also available in various combinations – see AFL Datasheet.

SUPPORTING LITERATURE

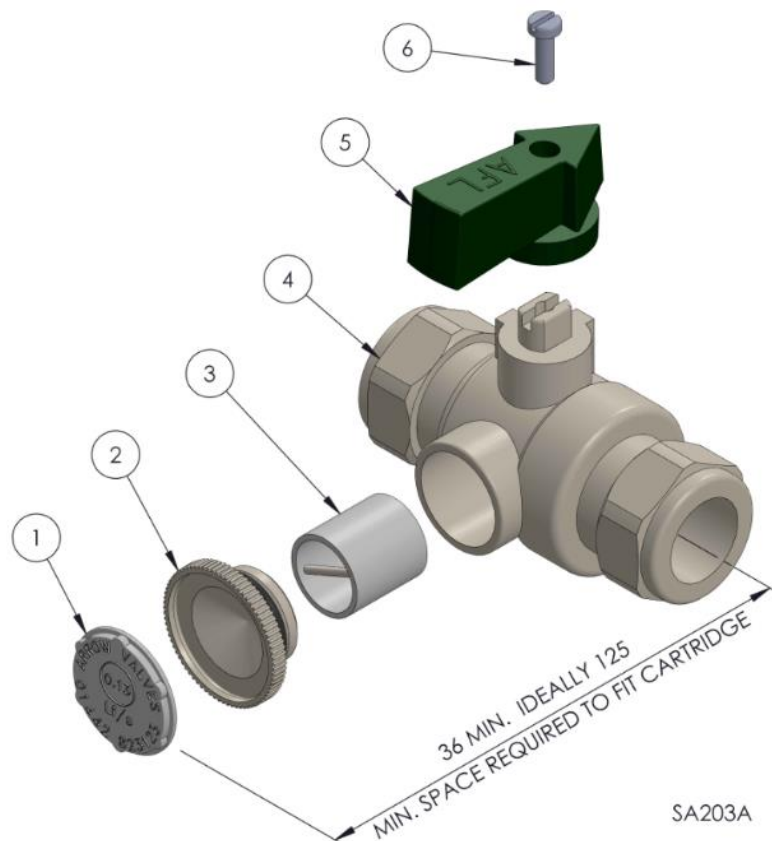
AFL Datasheet

1.0 INSTALLATION NOTES

- 1.1 Ideally the valve should be orientated so the access port (for installing the cartridges) and lever are accessible.
- 1.2 When open, the 'Arrow' lever is pointing in the direction of flow. When supplied without a lever, observe the flow direction on the sticker or embossed into the valve.
- 1.3 The valves can be installed in horizontal or vertical pipe runs.
- 1.4 Once the valve is fitted, the system **must** be thoroughly flushed before installing the cartridge.
- 1.5 If additional security is required, the lever can be removed and a spanner used instead.

2.0 INSTALLING OR CHANGING A CARTRIDGE

- 2.1 Shut the valve so the 'Arrow' lever (5) points away from the access port.
- 2.2 No other isolation or drainage is necessary.
- 2.3 Unscrew the Knurled Plug (2) on the access point.
- 2.4 Removing -use pliers to grip Cross Pin and pull Cartridge (3) out.
- 2.5 Installing – Insert Cartridge (3) – **ensure cross pin is showing**. Grip the cross pin with pliers. Push the cartridge (3) fully into the ball. *Ensure the cross pin enters the bore of the valve.*
- 2.6 Refit Knurled Plug – hand tight only.
- 2.7 The valve can now be opened again.



ITEM NO.	DESCRIPTION	QTY.
1	IDENTITY DISC – COLOUR CODED	1
2	KNURLED PLUG	1
3	CARTRIDGE – WITH CROSS PIN	1
4	VALVE BODY	1
5	ALUMINIUM ARROW LEVER	1
6	SCREW	1

3.0 MAINTENANCE

3.1 No planned maintenance is required. However if water quality is poor, debris could become lodged in the Cartridge and restrict the flow. If this occurs clean or replace cartridge – see above

4.0 CARTRIDGE INFORMATION

- 4.1 All Cartridges have identical external dimensions and a stainless steel Cross Pin, which enables easy extraction with long nose pliers.
- 4.2 Where space prohibits pliers, a wire hook can be used instead.
- 4.3 There is no Circlip required because the “on” position prevents the Cartridge from moving.