

# Reduced Pressure Zone (RPZ) Valves

## BA Devices - Applications and Installation Guidance Overview – Datasheet Page 1 of 3

### Description

Mechanical backflow preventer approved for protection against backpressure and back siphonage for Fluid Categories 1 – 4. RPZ Valves (BA devices) are acceptable to all water companies in the U.K. - when installed and used in accordance with the Water Regulations.

### Applications

Many applications that are Fluid Category 3 in a house become Category 4 in non-house (commercial) situations. Subjective applications (e.g. hose union taps) are to be "risk assessed" by water supplier. Category 4 examples include -

- Quick fill heating systems non-house (see *Autofill*)
- Hose union taps – commercial, not cat. 5. (see *SPBA*)
- Clothes washing machines - commercial use
- Dishwashers - commercial use
- Sealed heating systems - non-house (see *Autofill*)
- Chilled water circuits and run around coils (see *Autofill*)
- Storage cisterns - without suitable air gap
- Mini-irrigation systems with porous hoses
- Wash-down hoses – not cat. 5.
- Water treatment plant – commercial
- Vehicle washing plant / degreasing
- Water softening – non ion exchange
- Fire sprinklers with anti-freeze solutions
- Food processing
- Bottle washing
- Brewery & distillation plant
- Refrigerating equipment
- Cooling water / foundries
- Printing / photographic equipment
- Underfloor heating (see *Autofill*)
- Dyeing equipment
- Applications deemed to be Category 4 by water company

### Connection Pipes & Sizes

Copper – 15, 22, 28 & 35 mm compression as standard  
 Steel – Female BSPP ½" – 2". PN16 flange from DN65+  
 Plastic – Fittings available for most systems

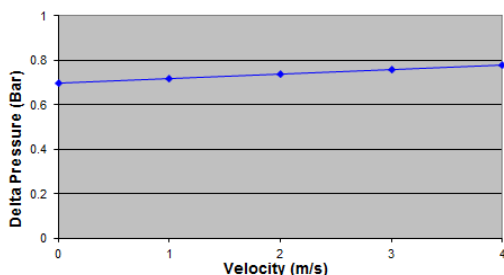
### Specification

Pressure Supply	1 bar min. – 10 bar max.
Max. Working Temperature	65° C
Strainer	100 µm DN15 – 32 200 µm DN40 – 50 800 µm DN65 1250 µm DN80 – 150
Water Regulations Approval	1805034, 1805033, 1712071

### Materials

Body	DZR Brass or Bronze DN40+
Relief Valve Seat	316 Stainless Steel
Relief Valve Shaft	DZR Brass
Seals and O-rings	Nitrile
Isolating Valves	DZR Brass

HeadLoss / Flow Chart



### Notes

Velocity based on flow through copper tube, table X. Data for DN25 valve, other sizes have similar characteristics. All BA devices require about 0.7 bar to open - Regulator's specification determines this for all BA devices.



### Pre-Installation Guidance

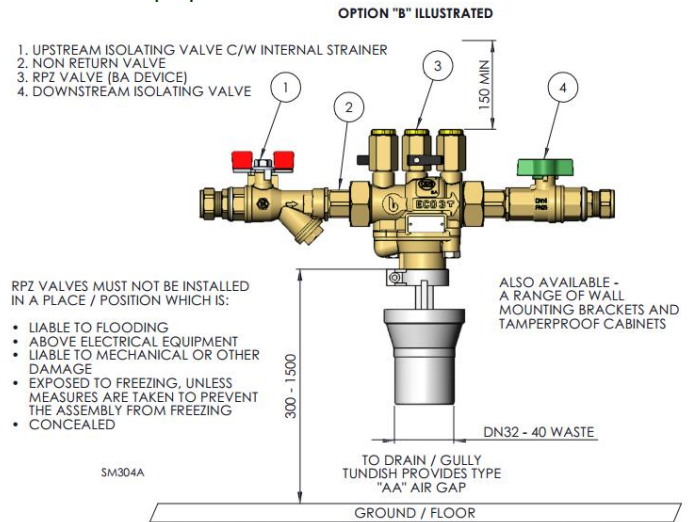
Ensure there is at least 1 bar pressure – this is rarely available from a distributing pipe (down service). Proposed installation for Fluid Category 4 or 5 applications by non-approved contractors should be notified to the local water company.

### Installation Guidance

RPZ valves must be installed in accordance with the WRAS Water Suppliers' Approved Installation Method AIM 08-01 Issue 1. Copies (pdf) are available to download from the RPZ Valves page on our website.

RPZ assemblies **must** have upstream & downstream isolating valves with resilient seats, strainer and tundish to waste. All Arrow Valves Options have these fittings as standard. The installation **must** be –

- Horizontal, with tundish below valve
- 300 – 1500 mm **above** the ground or floor
- 150 mm min. access above assembly
- Tamperproof – see *BACAB2* for sizes 15 & 22 mm



### Commissioning & Annual Testing

Once installed, the assembly **must** be commissioned by an "Accredited Tester". A test report must be sent to the local water company. The assembly must be at least annually tested. Arrow Services has Testers throughout mainland U.K. and can offer commissioning and annual testing of BA devices on behalf of Arrow Valves Ltd.

### Arrow Valves Ltd

Tel: 01442 823123 Fax: 01442 823234  
 www.arrowvalves.co.uk



Arrow Valves Ltd reserve the right to change specifications, design and materials at any time without notice. All unit-less dimensions in mm.  
 © Copyright Arrow Valves Ltd 2001-2019



# Reduced Pressure Zone (RPZ) Valves

## BA Devices — Assemblies Options A – H — Datasheet Page 2 of 3

### Isolating Valves

DN15 – 25 valves are ¼ turn Ball Valves with tee. The integral fine strainer is cleaned by removing the end cap and internal strainer basket. DN32 – 50 valves have a lever in place of tee and the strainer is not integral. Assemblies DN65+ are supplied with resilient seat gate valves.

### Strainers

The strainer, whether integral in the isolating valve or separately should be cleaned annually. DN15, 20 & 25 assemblies are fitted with 100 µm (0.10 mm) strainer, which is suitable for clean water or where the annual water consumption is low. **Excessive debris in the water can either block the strainer or cause the RPZ to drip** (debris becomes lodged in the RPZ check valve). Where the water is likely to contain particles and/or the annual volume of water demand is high, e.g. zone or whole site applications, a **large capacity strainer must be used e.g. Options F, H**. These strainers have a semi-automatic or electrical fully automatic self-cleaning facility.

### Pressure Regulating Valves

An industrial PRV Model 535 DN50 with stainless steel seat is used for Option E (see PRV535 datasheet). This is recommended for quick filling heating / cooling circuits, where the pressure needs to be limited to avoid damage. For quick fill and pressurising see "Autofill" datasheet – model AFS.

### Non-Return Valve

To reduce the possibility of "Operational Discharge" when the supply pressure drops more than 0.3 bar with no flow, a non-return valve (NRV) or Pressure Reducing Valve (PRV) is recommended upstream of the RPZ. E.g. Options B, E, F, H.

### Options

The table below lists the fittings used in the assemblies. Option A – this is the most basic and is suitable where the valve is isolated on the upstream when not in use. Option B – check valve reduces operational discharge. Option E – features a PRV. Ideal for filling heating and chilled water circuits where mains pressure allows. Note - the RPZ drops the pressure by 0.7 bar (7 m). See "Autofill" datasheet Option F – large capacity fine strainer ensures reliable operation, strongly recommended. Option H – as Option F with an automatic electrical actuator.

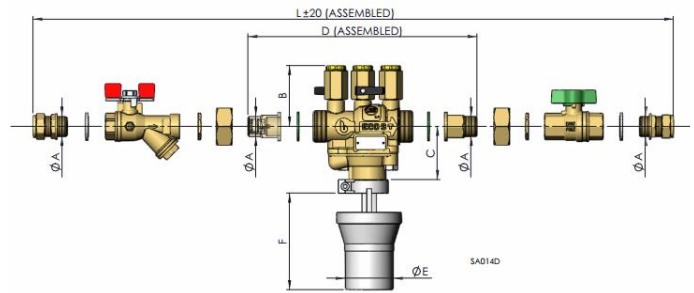
Option Code	Size Range DN mm	Upstream Isolating Valve	Semi Automatic Strainer 100 µm	Fully Automatic Strainer 100 µm	Non Return Valve	Pressure Regulating Valve	RPZ Valve	Isolating Valve
A	15-150	✓					✓	✓
B	15-200	✓			✓		✓	✓
E	15-150	✓				✓	✓	✓
F	15-100	✓	✓		✓		✓	✓
H	15-100	✓		✓	✓		✓	✓

**Sizes**  
 15 - 35 mm have compression ends  
 40 - 50 female BSP (compression optional)  
 65 – 150 PN16 flange

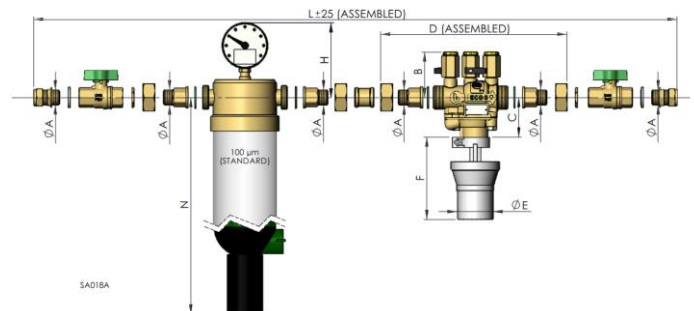
### Order Codes of Options

Size	A	B	E	F	H
15mm	BA15A3T	BA15B3T	BA15E3T	BA15F3T	BA15H3T
22mm	BA22A3T	BA22B3T	BA22E3T	BA22F3T	BA22H3T
28mm	BA28A	BA28B	BA28E	BA28F	BA28H
35mm	BA35A	BA35B	BA35E	BA35F	BA35H
DN40	BA40A	BA40B	BA40E	BA40F	BA40H
DN50	BA50A	BA50B	BA50E	BA50F	BA50H

### Option B



### Option F



### Dimensions common to Options A-H

Size	A	B	C	D	E	F	J	K
15	½"	65	78	159	DN32-40	101	27	27
20	¾"	65	93	159	DN32-40	101	27	27
25	1"	104	112	198	DN40	64	64	47
32	1¼"	100	203	280	DN40	122	76	47
40	1½"	130	203	387	DN50	154	86	86
50	2"	130	261	395	DN50	154	86	86

### Dimension "L" (Length) of Options

Size	A	B	E	F	H
15	345	345	501	504	489
20	375	375	577	538	523
25	565	565	646	670	670
32	690	690	659	815	815
40	742	742	874	860	860
50	801	801	939	936	936

### Weight (Kg) of Options

Size	A	B	E	F	H
15	2.0	2.0	4.9	6.2	7.7
20	2.3	2.3	6.0	6.9	8.2
25	6.7	6.7	7.8	9.0	10.2
32	7.8	7.8	9.8	9.9	10.9
40	17.5	17.5	19.2	19.5	20.5
50	20.9	20.9	27.8	22.2	23.2

### Arrow Valves Ltd

Tel: 01442 823123 Fax: 01442 823234  
 www.arrowvalves.co.uk



Arrow Valves Ltd reserve the right to change specifications, design and materials at any time without notice. All unit-less dimensions in mm.



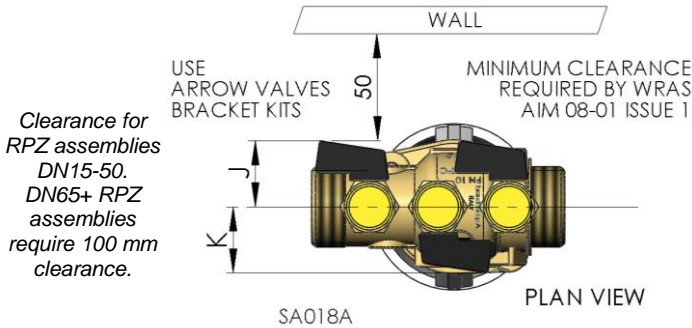
© Copyright Arrow Valves Ltd 2001-2019

# Reduced Pressure Zone (RPZ) Valves

## BA Devices — Tamperproof Brackets & Cabinets — Datasheet Page 3 of 3

### Description

RPZ Valves must have a minimum of 50 mm horizontal clearance between the RPZ assembly and any rear wall or cabinet for assemblies DN15 – 50 and 100 mm clearance for assemblies DN65 and larger.



RPZ in grey square cabinet 300x300x150

### Cabinets

Arrow Valves RPZ cabinets provide a tamperproof environment as required by the Regulations. The CAB2 (pictured above) incorporates a 15 or 22 mm Option A or B assembly. All cabinets and assemblies conform to the requirements of the Water Regulations & WRAS 08-01 Issue 1.

Arrow Valves manufacture brackets and cabinets with the required rear clearance. RPZ Valves must be installed in a "tamper-free environment". This is to ensure the test cocks are not inadvertently opened and backflow prevention is not impaired. Plant rooms, boiler rooms, service voids etc, are considered to be tamper-free and a cabinet is not required, use brackets only.

2-hole fixing minimises installation time. A key secures the door. A vinyl instruction label is fitted to the cover. The cabinet base must be 300 – 1500 mm above the ground or floor. Allow 150 mm minimum above the cabinet.

Where the RPZ Valve is to be installed in a kitchen, laundry room or any area accessible to the public or non-maintenance staff, the assembly should be housed in a tamperproof cabinet.

Grey cabinets without a base provide a tamperproof and hygienic environment – particularly suitable for dishwashers and washing machines.

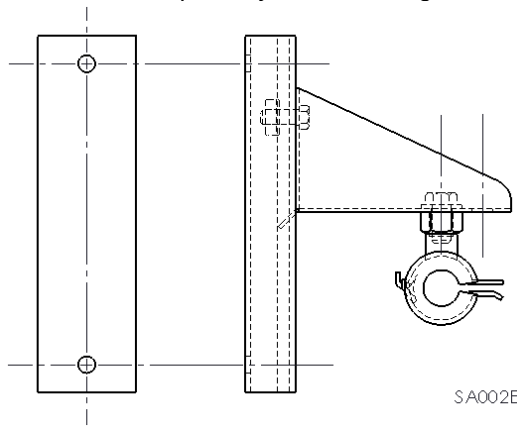
The tundish is extended below the base to provide a conspicuous discharge and to ensure the cabinet cannot become flooded.



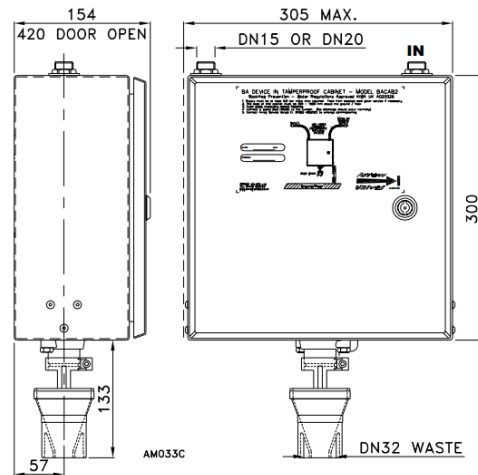
RPZ Option F and wall fixing brackets – providing rear clearance as required by the Water Regulations

### Specification

Material	Steel, zinc plated
Colour	Grey – epoxy powder coated
Fasteners	Steel – zinc plated
Base	None – open
Accommodates	Options A or B, 15 or 22 mm



Schematic diagram – design alters with size



### Codes and Descriptions

Size	Code	Description
15	BA15BCAB2	RPZ Assy c/w Cabinet Grey 300x300x150
22	BA22BCAB2	RPZ Assy c/w Cabinet Grey 300x300x150

### Codes and Descriptions

Size	Code	Description
15 mm	BABRA14-16	DN15 - 32 RPZ Bracket Kit (Pair)
22-1/2"	BABRA20-24	DN15 - 32 RPZ Bracket Kit (Pair)
28-3/4"	BABRA25-28	DN15 - 32 RPZ Bracket Kit (Pair)
35-1"	BABRA33-37	DN15 - 32 RPZ Bracket Kit (Pair)
42-11/4"	BABRA38-43	DN40 - 50 RPZ Bracket Kit (Pair)
54 mm	BABRA50-54	DN40 - 50 RPZ Bracket Kit (Pair)

### Arrow Valves Ltd

Tel: 01442 823123 Fax: 01442 823234  
www.arrowvalves.co.uk

Arrow Valves Ltd reserve the right to change specifications, design and materials at any time without notice. All unit-less dimensions in mm. © Copyright Arrow Valves Ltd 2001-2019

