



Operating & Maintenance Manual
“Pent-A-Boost®” Compact Domestic Booster Set –
Models BTAF 700 900 1200
230-240 V Single Phase & 400 V 3 Phase



Model shown BTAF with optional insulation jacket

INDEX

Section	Item
1	Information Provided
2	Applications
3	Installation Notes
4	Priming & Testing
5	Adjustments
6	Maintenance
7	Solenoid Service Information
8	Pump Details
a)	Electrical Connection
b)	Maintenance
c)	Dismantling
9	Type P4 Conductivity Level Controller
a)	Principle of Operation
b)	Technical
10	Options
11	Fault Finding
12	Spares

FOREWORD

The Break Tank assembly with Fluid Category 4 protection by virtue of the integral Type AF air gap. The primary purpose is to provide backflow protection in accordance with the water regulations. The BTAF unit also boosts the water pressure for elevated areas. The AF air gap screened overflow and vent is approved for wholesome drinking water.

1. INFORMATION PROVIDED

Data Sheet BTAF

Wiring Diagram AM009*

Factory Commissioning Certificate

2. APPLICATIONS

The unit should be installed to provide point of use protection. See Water Regulations Guide. The Break Tank has a hygienic type AF air gap making it suitable for Fluid Category 4. The set is approved for drinking (wholesome) water applications since it has a screened overflow and vent – conforms to G16.13.

3. INSTALLATION NOTES

- 3.1. The units weigh between 38-86 kg dry and 85-125 kg wet, safe lifting practices should be implemented.
- 3.2. The BTAF should be installed by a competent person with regard to the relevant requirements of the Health and Safety Regulations, building regulations, IEE Regulations, Water Supply (water fitting). Water Bye-Laws (Scotland) and other local Bye-laws.
- 3.3. Unpack the unit, taking care not to lift on the black tank Suitable lifting points are the base of the unit, the cistern base, the 28 mm copper tube from the tank to the pump and the 20 mm elbow close to the vessel.
- 3.4. Install in an area not liable to flooding or freezing (outdoor heated GRP enclosures are available). Normally the unit is floor mounted, wall brackets can be used option BTBRA
- 3.5. Thoroughly flush the supply pipe before connecting – debris can damage the solenoid valve. A strainer is fitted between the solenoid and servicing valve as standard.
- 3.6. Connect the supply pipe to the solenoid valve. Normally the supply is DN20 for models 700 & 900 and DN25 for models 1200 and 4 series. A stainless braided hose is supplied. Ensure this is not kinked or stressed. The supply pressure should be in excess of 1 bar dynamic.
- 3.7. If the BTDT2 option has been specified, fit this in line with the inlet supply.
- 3.8. Connect the pump outlet flexible hose to the system. Ensure fibre washers (supplied) are used and the union nut is tight.
- 3.9. Connect waste outlet as appropriate and ensure compliance with water regulation G16.8, G16.10 & G16.11. Check that overflow can cope and no water damage will occur if it can't, by lifting lid on tank until it overflows. Replace lid to stop water flow.
- 3.10. Electrical Connection 230-240 V Single Phase. The electrical supply must be via a circuit breaker (see datasheet). Screw terminals are supplied and colour coded according to standards. *Connect a minimum 1.5 mm² three core cable to the control box. Feed through gland and tighten. Strip 10 mm of insulation off each wire and insert into screw terminals fully tighten.*
- 3.11. *Electrical Connection 400 V 3 phase - The electrical supply must be via a circuit breaker (see datasheet). The wiring requires 3 phases and neutral. Strip 10 mm of insulation off each wire and insert into screw terminals fully tighten. After connection it is advised that the motor direction is checked.*
- 3.12. **Ensure the cistern lid is fitted correctly. WARNING! If the lid is not fitted, the unit will continually fill and eventually flood, the pump will not run.**

4. PRIMING & TESTING

The unit is designed to self-prime by switching the pump on and off.

- 4.1. Shut the outlet valve and open the inlet Servicing Valve.
- 4.2. Switch electrical and water supplies on.
- 4.3. The cistern should commence filling and the pump start once the cistern is half full.
- 4.4. To aid the self priming, manually switch the pump off for 10 seconds and then back on during the initial fill.
- 4.5. The pump should stop about 3 minutes after the gauge reaches approximately 1.5 – 2 bar above pressure switch on. If the pump fails to switch off after four minutes, switch the electricity off for 1 minute, then switch on. If this does not work see AM120B BT FAULT FINDING CHART
- 4.6. Open the outlet valve and check the pump starts when water is drawn off from the system.
- 4.7. Sequentially open all draw off points that the BTAB is supplying to vent system.
- 4.8. The pump will run continuously if the filling solenoid valve is energised, this prevents unnecessary stop start cycles.
- 4.9. Check the solenoid valve shuts off completely.

5. ADJUSTMENTS

WARNING! ISOLATE POWER FOR 1 MINUTE BEFORE REMOVING COVER

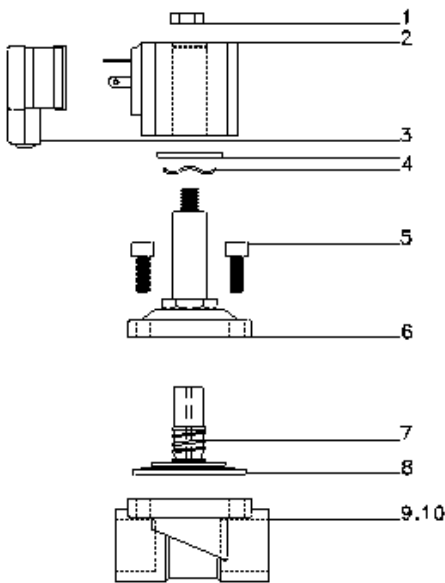
- 5.1. There generally is no need to alter the pressure switch. Adjusting the pressure switch will not increase or decrease the pressure supplied by the pump or limit the maximum pressure that the pump can achieve. Use BTPRV Option.
- 5.2. The pressure switch is on the opposite side to the pressure gauge, remove the centre screw holding the electrical plug on, remove the plug. Remove the 8 mm brass nut to allow access to the adjusting screw. If necessary, adjust the pressure switch, (clockwise to increase, 1 turn approx = 1 bar). If the pressure is adjusted, remember to set the vessel air pressure to 0.2 bar below switch-on pressure. The cap can be pushed on to check the pressure switch settings temporarily, remember to fit the securing screws when done to ensure electrical insulation.
- 5.3. The run-on timer is factory set to 3 minutes. This can be increased to 5 minutes if required. To increase, rotate the wheel on the timer clockwise. Check the time with a stop watch with the outlet valve closed.
- 5.4. BTFPS Option (Break tank frost protection system) Factory fitted and used in conjunction with Wall Cabinets and Cab 2. A thermostat attached to the control box will cause the pump to run against a closed head to generate heat, Pre-set to 5 ° C, adjust accordingly.

6. MAINTENANCE

It is recommended the electrodes are annually cleaned with Scotch-Brite and the vessel pressure checked. This must be done with zero water pressure indicated on the pressure gauge.

Operating & Maintenance Manual – Compact Domestic Booster Set – Model BTAF – Arrow Valves
7. SOLENOID SERVICE INFORMATION

Model SOL**FACD



Two-way, normally closed, anti-water hammer solenoid valves with hung diaphragm.

Valve bodies and bonnets are of brass construction.

Standard valves have a General Purpose Solenoid Enclosure.

DESCRIPTION

1. Retaining Nut
2. Coil & nameplate
3. Connector assy.
4. Spring washer
5. Screw (4x)
6. Bonnet assy.
7. Spring
8. Diaphragm/core assy.
9. O-ring, valve body
10. Valve body

8. PUMP DETAILS

a) Electrical Connection



Single-phase MXHM pumps are supplied with a capacitor connected to the terminals and (for 220-240 V – 50 Hz) with an incorporated thermal protector.

3 phase pumps are supplied with connection terminals for 415 V supply with incorporated thermal protector.

ATTENTION!

Never allow washers or other metal parts to fall into the internal cable opening between the terminal box and stator.

If this occurs, isolate power, dismantle the motor to recover the object(s) which has fallen inside, reassemble and reconnect power.

b) Maintenance

For pumps that have been supplied with BTPT (Pulse Timer – Infrequent use / anti seize) option the pump will rotate for 1 second on a daily basis to prevent seizure. (Do not drain) the BTAB must be powered for this function to work.

For good measure, as in the case of temporary operation with dirty liquids, run the pump briefly with clean water to remove deposits. In any case, when the pump remains inactive it must be emptied completely if there is a risk of freezing. Before restarting the unit, check that the shaft is not jammed and fill the pump casing completely with liquid see section 4 Priming and Testing.

9. BROYCE LEVEL CONTROLLER

Installation

a) Principle of Operation

Relies on the conductivity properties of liquids to complete an electrical circuit. A low voltage A.C. signal is used on the electrodes to avoid electrolysis.

b) Technical:

RELAY OUTPUT – Double pole changeover voltage free contacts rated 8 A @ 250 V AC resistive.



10. OPTIONS

The table below shows part numbers and descriptions for upgrades available for Break Tanks.

Code	Description
BTPRV	PRV for fixed speed break tank
BTPT	Pulse timer – infrequent use/ anti seize
BT20-25	Upgrade from DN20 – DN25
BT2-3	Upgrade to a 3 phase pump
BTDT1	GRP Drip Tray c/w float switch (up to 3-7)
BTDT2	Controller and additional sol for drip tray
BTBMS1	BT High alarm BMS – Fixed Pump
BTDO	Break tank drain tap

BTPRV:- PRV – Pressure regulating valve ensures constant water pressure (Factory Fitted)

BTPT: - Pulse Timer - turns the pump over daily at no specified time to prevent the pumps from seizing, if left unused. (requires power to be left on)

BT20-25:- Upgrade from DN20 –DN25 – is a larger diameter inlet hose and solenoid.

BT2-3: - Upgrade to a 3 phase pump – Make the pumps more economical to run.

BTDT1: GRP Drip tray with float switch – A drip tray to capture any leak if an overflow pipe is not feasible, the water inlet solenoid is isolated if the float switch is activated, when the drip tray is full and requires emptying.

BTDT2: - Controller and additional solenoid for drip tray – Is in addition to the drip tray option an additional solenoid can be fitted on the inlet in case of device failure.

BTBMS1: - BT High Alarm BMS–Fixed Pump - generates a warning on the BMS if the water level in the break tank gets to high.

11. FAULT FINDING:

Please see fault finding chart: <https://www.arrowvalves.co.uk/media/wysiwyg/pdfs/AM120B-BT-FAULT-FINDING-CHART.pdf>

12. SPARES

The table below shows part numbers, codes and descriptions for spares, which may be required for the Break Tank, contact Arrow Valves on 01442 823123 or online at www.arrowvalves.co.uk.

Code	Size	Description
ELCT3A3OU		Timer Off 11 Pin Plug/Socket 0.2-720s 230V
ELC10A10X230A		Relay IRC Single Pole LED Indication 230VAC
BT		Level Controller 2 Pole Output 230VAC
SOLIP4962A/2	DN15-25	Solenoid Spares Kit for model ACD DN15-25
ELF4/M3-2	1/4"	Pressure Switch & Plug 2 Bar (BT700)
ELF4/M3-3	1/4"	Pressure Switch & Plug 3 Bar (BT900)
ELF4/M3-4	1/4"	Pressure Switch & Plug 4 Bar (BT1200)
ELF4/M3-1.2	1/4"	Pressure Switch & Plug 1.2 Bar (BTMD-1)
ELF4/M3-2.2	1/4"	Pressure Switch & Plug 2.2 Bar (BTMD-3)
12µFCAP700		12 µF Capacitor For BT700
15µFCAP900		15 µF Capacitor For BT900
20µFCAP1200		20 µF Capacitor For BT1200
A232A	DN20	BT Outlet Hose DN20
A230A	DN20	BT Inlet Hose DN20
A231A	DN25	BT Inlet Hose DN25

Arrow Valves Ltd reserves the right to change specifications at any time without notice.