

Filling Valve with CA Device

Model CA297PRV – Non Verifiable Disconnecter - Datasheet

Description

Backflow Prevention Device primarily intended for filling and pressurising sealed house heating systems, or non-house systems, which have been risk assessed by the water supplier and downgraded to a Fluid Category 3 risk. A Type CA device – with suitable pressure regulation – can be permanently connected to a small heating system without the need for a removable filling loop. This enables the system to be filled and pressurised. A non-house primary circuit or heating system is classed as a Fluid Category 4 risk by default and a BA device can be used for filling and pressurising – see “Autofill”.

The CA device affords permanent Fluid Category 3 protection. The relief port affords better protection than a double check valve (Type ED) and a CA device may be permanently connected – no removable filling loop required.

A discharge pipe should be connected to the integral tundish. Under normal operation the unit should not discharge. The valve will discharge a tiny quantity of water if the supply pressure falls below about 0.5 bar or 110% of downstream pressure. A continuous discharge could occur if debris becomes lodged in the relief valve or the second check valve during a backpressure condition.

Connection Pipes

CA device only	1/2" or 3/4" Female BSPP Unions
Servicing valves	15 or 22 mm Compression
Discharge	21.5 mm (std o/flow pipe)

Specification

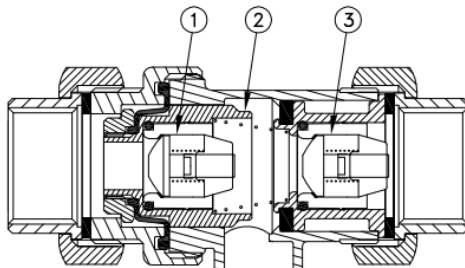
Pressure Supply	10 bar max, 1 bar min.
Outlet pressure (cold fill)	1.0 bar default (Adj. 0.5 – 9.3)
Water Regulations	A030562
Approval	

Materials

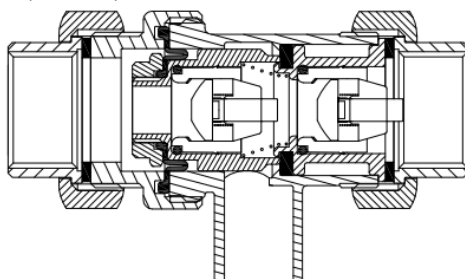
Body	Bronze (PRV & SV - DZR brass)
Springs	Stainless Steel
Seals	Nitrile

Operation

With no inlet pressure, the upstream check valve (1) and downstream check valve (3), are closed, whilst the relief valve piston (2) is open – due to the compression spring.

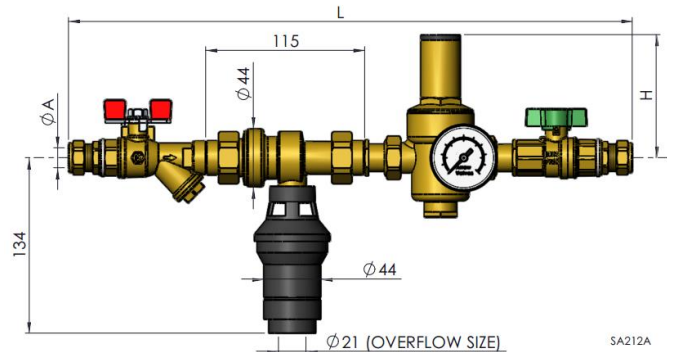


Below – during operation the relief valve is closed (with pressure) and the check valves open (with flow)



CA15C297PRV - Filling valve assembly comprising of – inlet servicing valve c/w serviceable strainer, CA device, Pressure Reducing Valve (PRV) and servicing (isolating) valve

Dimensions



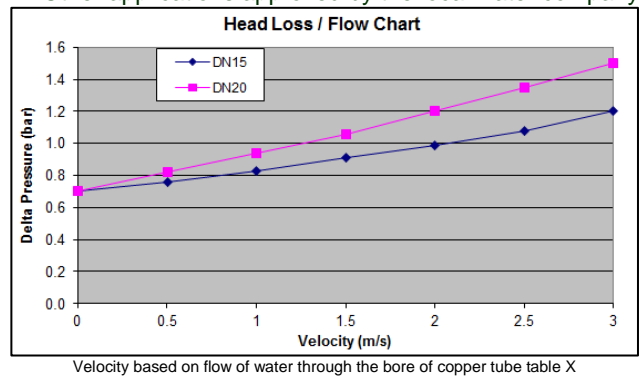
SIZE	A	L	H	Kg
15 mm	440	90	2.1	
22 mm	515	112	2.9	

Isolating

The servicing valves may be left open if the pressure is regulated with a Pressure Reducing Valve. The upstream servicing valve has a serviceable 100 micron strainer.

Applications (Fluid Categories 1 – 3)

- Filling house heating systems (of any output power)
- Filling non-house heating systems (risk assessed)
- Other applications approved by the local water company



Codes and Descriptions

Sizes	Code	Description
15, 22 mm	CAsizeC297PRV	Filling Valve CA Serv Valves PRV Comp.
15, 22 mm	CAsizeC297SV	CA Device c/w Serv Valves Comp.
DN15, 20	CAsizeFU297	CA Device c/w Tundish FUBSPP

Notes
Gauge supplied with PRV version.
Unlike BA devices, CA devices do not require annual testing.

Arrow Valves Ltd

Tel: 01442 823123 Fax: 01442 823234
www.arrowvalves.co.uk

Arrow Valves Ltd reserve the right to change specifications, design and materials at any time without notice.
All unit-less dimensions in mm.
© Copyright Arrow Valves Ltd 2003-2019

