



## Installation Instructions / Operating & Maintenance Manual

### Tap Box - Secure Outside Hose Tap Models - HUTB, HUTBS & HUTBT

### “Tap Guard” – Guarded Hose Tap with Pipe Cover Model - HUTG



*Tap Box  
Model – HUTB15  
(with optional Padlock and Hose Connector)*



*“Tap Guard”  
Model - HUTG  
With optional Hose Shield*

#### FOREWORD

Tap Box - Compact wall mounted stainless steel box with spherical type tap and hose connection. The tap is foam insulated and therefore offers reasonable frost protection.

“Tap Guard” – Guarded hose outside tap with stainless steel supply pipe cover. The tap and supply pipe are foam insulated and therefore reasonably well frost protected.

#### SUPPORTING LITERATURE

- HUTBG Tap Box Datasheet

## Operating & Maintenance Manual – Tap Box & “Tap Guard” – Arrow Valves

SECTION	ITEM
1.0	INSTALLATION – TAP BOX – WITHOUT EXISTING PIPE
2.0	INSTALLATION – TAP BOX- WITH EXISTING PIPE
3.0	INSTALLATION – TAP BOX – HUTBS & HUTBT
4.0	INSTALLATION – TAP GUARD - HUTG
5.0	OPERATION
6.0	FROST PROTECTION
7.0	OPTIONS
8.0	SPARES
9.0	INSTALLATION WALL TEMPLATE

*\*Before installation, check the model suits the application regarding pipe entry and appropriate backflow protection.*

### 1.0 INSTALLATION – TAP BOX – HUTB WITHOUT EXISTING PIPE

1.1. Frequently an installation kit is provided with a Tap Box, which includes –

#### HUTB Installation Kit 15 mm – code - HUTBINKIT

QTY	DESCRIPTION
1	FULL BORE BALL VALVE & LOW LOSS DCV COMP.
1	TECTITE T12 EQUAL ELBOW
1	MASONRY DRILL TUNGSTEN CARBIDE Ø5 x 85
4	No.8 DIN 7981 PAN HEAD ISO 7049 POZI A2
4	RAWLPLUG
1	HOSE CONNECTOR INTER-LOCK SOCKET

- 1.2. The HUTB is supplied with 500 mm of copper tube protruding from the rear of the Tap Box, covered with foam insulation. For optimum frost protection this insulation should pass through the outer wall. Alternatively use a plastic sleeve. The inner wall of a cavity wall need not have foam insulation. Drill an approximate size hole through the wall.
- 1.3. Secure the Tap Box with four screws and wall plugs where necessary (provided in Installation Kit). An Installation Template is provided on the last page of this Manual.
- 1.4. Generally the supply pipe will be parallel with the inner wall, requiring an elbow. A solder joint is not permitted due to the insulation and plastic materials. A Tectite push-fit elbow is supplied in the Installation Kit – or use a compression elbow. Trim the pipe to the appropriate length with pipe cutter. If a saw is used, deburr the inside and outside of the pipe.
- 1.5. Appropriate backflow prevention (contact Arrow Valves [www.arrowvalves.co.uk](http://www.arrowvalves.co.uk) for more information) must be provided. Most applications are deemed to be Fluid Category 3 requiring a Double Check Valve inside the building. A low loss Double Check Valve and a Servicing Valve is supplied in the Installation Kit. Installations in or close to a bin store for example are Fluid Category 5 and must be supplied from a Break Tank with AB air gap - contact Arrow Valves.
- 1.6. Install a Servicing Valve upstream of the Double Check Valve.

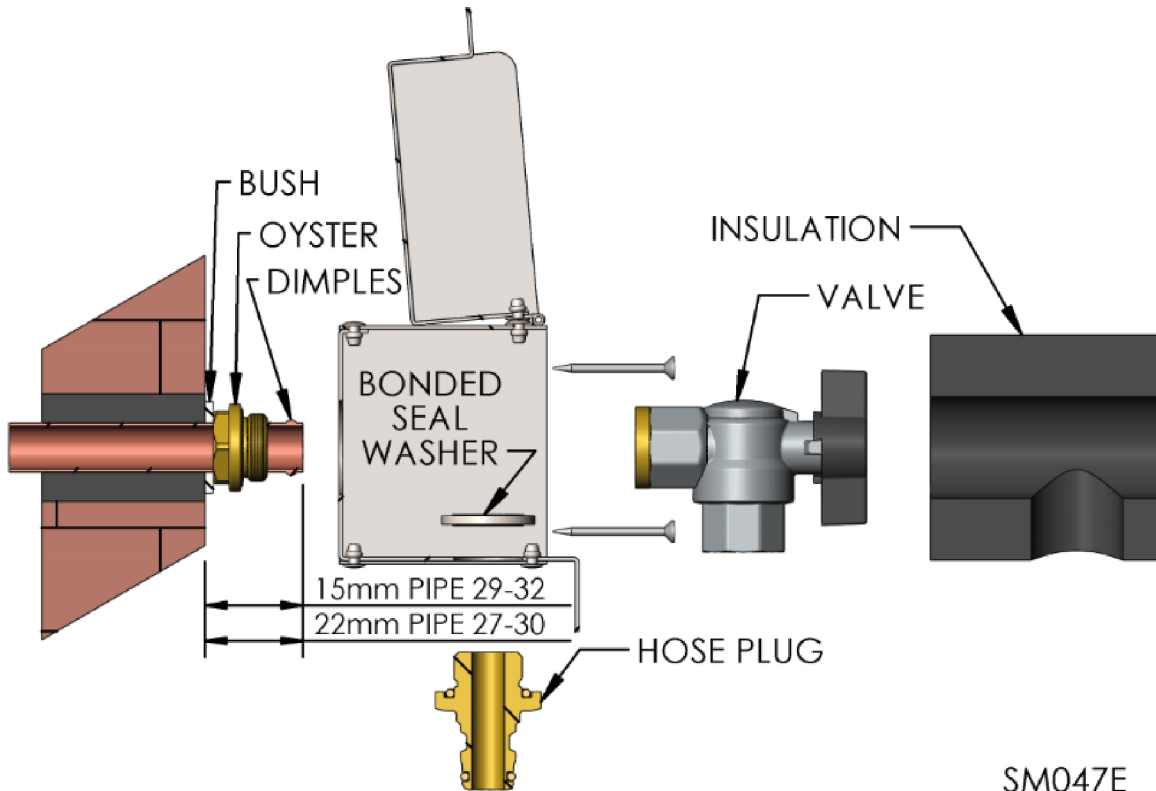
### 2.0 INSTALLATION – TAP BOX – HUTB WITH EXISTING PIPE WORK (see drawing AM047D)

- 2.1. Some new builds have a length of copper tube protruding through the outside wall with no access to the inside. It is possible to fit the HUTB Tap Box if sufficient tube protruding. Note - Oyster dimpling pliers are required.
- 2.2. Trim the pipe to the appropriate length with pipe cutter. If a saw is used, deburr the inside and outside of the pipe.                      15 mm: 29 – 32 mm                      22 mm: 27 – 30 mm
- 2.3. Remove insulation.
- 2.4. Unscrew the hose plug fitting from the bottom of the Tap Box.
- 2.5. Extract valve from box.
- 2.6. Unscrew Oyster fitting from back of valve and slide off the rear of the tube.
- 2.7. Remove and retain plastic bush but discard copper tube.
- 2.8. Push plastic bush over pipe protruding from the wall.
- 2.9. Offer up Tap Box and locate over bush and mark fixing holes.

Q:\Arrow Valves\Products\HU Hose Union Taps and Accessories\hutbgo&mmanual.docx 25-Oct-17

## Operating & Maintenance Manual – Tap Box & “Tap Guard” – Arrow Valves

- 2.10. Drill fixing holes and fit wall plugs as necessary – but do not fix box to wall. An Installation Template is provided on the last page of this Manual.
- 2.11. Push Oyster fitting over pipe.
- 2.12. Add 3 dimples (4 for 22 mm) to pipe using Oyster dimpling pliers (PCY77267).
- 2.13. Place the valve through the back of the box.
- 2.14. Tighten Oyster fitting into valve.
- 2.15. Push box back against wall and secure with 4 screws.
- 2.16. Ensure bonded seal washer is in place before hose plug fitting into box and tightening. Note – no sealants are necessary where the hose plug has an integral O-ring below the box. The 22 mm and optional male outlet for the 15 mm Tap Box, requires PTFE tape on the thread.
- 2.17. Refit the insulation in the box.



### 3.0 INSTALLATION – TAP BOX – HUTBS & HUTBT

- 3.1. Secure the Tap Box with four screws and wall plugs where necessary (provided in Installation Kit). An Installation Template is provided on the last page of this Manual.
- 3.2. Appropriate backflow prevention (contact Arrow Valves [www.arrowvalves.co.uk](http://www.arrowvalves.co.uk) for more information) must be provided. Most applications are deemed to be Fluid Category 3 requiring a Double Check Valve. This should be installed inside the building where practical. A low loss Double Check Valve and a Servicing Valve is supplied in the Installation Kit. Installation in or close to a bin store for example are Fluid Category 5 and must supplied from a Break Tank with AB air gap - contact Arrow Valves.
- 3.3. Install a Servicing Valve upstream of the Double Check Valve.
- 3.4. Insulate the exposed supply pipe.

### 4.0 INSTALLATION – TAP GUARD – HUTG

- 4.1. Secure the Tap Box with four screws and wall plugs where necessary (provided in Installation Kit). An Installation Template is provided on the last page of this Manual.
- 4.2. Fit the supply pipe to the inlet connection.
- 4.3. Insulate the exposed supply pipe.
- 4.4. Secure the stainless steel pipe cover screws and wall plugs where necessary.

## **Operating & Maintenance Manual – Tap Box & “Tap Guard” – Arrow Valves**

- 4.5. The Tap Guard is supplied with a low loss Double Check Valve and a Servicing Valve. This is suitable for Fluid Category 3. Installation in or close to a bin store for example are Fluid Category 5 and must be supplied from a Break Tank with AB air gap- contact Arrow Valves.

### **5.0 OPERATION**

- 5.1. The fitting is designed for non-domestic use and therefore should not be used for drinking water. Where appropriate, a “Not Drinking Water” label should be provided (Clause G27.4).
- 5.2. To open the tap, rotate a quarter of a turn anti-clockwise. When closing, avoid rapid closure as this can lead to water hammer.
- 5.3. When not in use, keep the lid closed and padlocked when appropriate to avoid unauthorised use.
- 5.4. Ensure the tap is not used for applications requiring higher backflow protection than provided.

### **6.0 ACCESSORIES**

- 6.1. Hose Connector Socket – HUG7903 (15 mm) and HUG7933 (20 mm). The Brass hose connectors require the release ring to be pulled back to connect and disconnect from the Tap Box outlet plug.
- 6.2. Hose Shield – HUSHIELD - Thread over hose before attaching hose to Tap Box. Push shield up and locate the two pegs into the Tap Box. Open the lid and slide the Lock Plate into the grooves on the pegs.
- 6.3. DB Pipe Interrupter - DB20ILS15 – This provides Fluid Category 4 protection for porous irrigation hoses. When ordered with the Tap Box, the Tap Box outlet should be ¾” male. Fit the DB pipe interrupter on to this outlet, then the brass Hose Plug adapter and finally the Hose Shield – see 6.2.

### **7.0 FROST PROTECTION**

- 7.1. In potentially freezing conditions, isolate the supply to the tap using the servicing valve inside the building, open the tap and padlock the lid closed. The servicing valve supplied with the Tap Guard is intended for maintenance of the tap valve and winter isolation is best achieved with an upstream servicing valve.

### **8.0 SPARES**

- 8.1. Please contact Arrow Valves for any spares required on 01442 823123 or online at [www.arrowvalves.co.uk](http://www.arrowvalves.co.uk).

### **9.0 INSTALLATION WALL TEMPLATE**

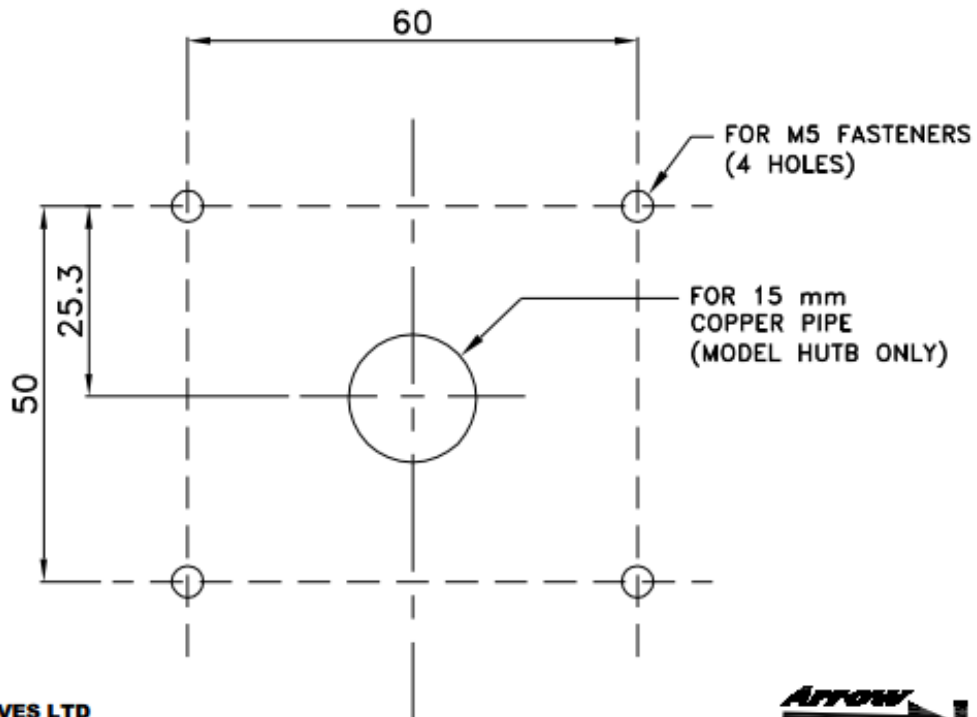
- 9.1. See following page.

# INSTALLATION WALL TEMPLATE

## 15 mm "TAP BOX"

MODELS -

**HUTB / HUTBS / HUTBT / HUTG**



ARROW VALVES LTD  
t. 01442 823123  
www.arrowvalves.co.uk

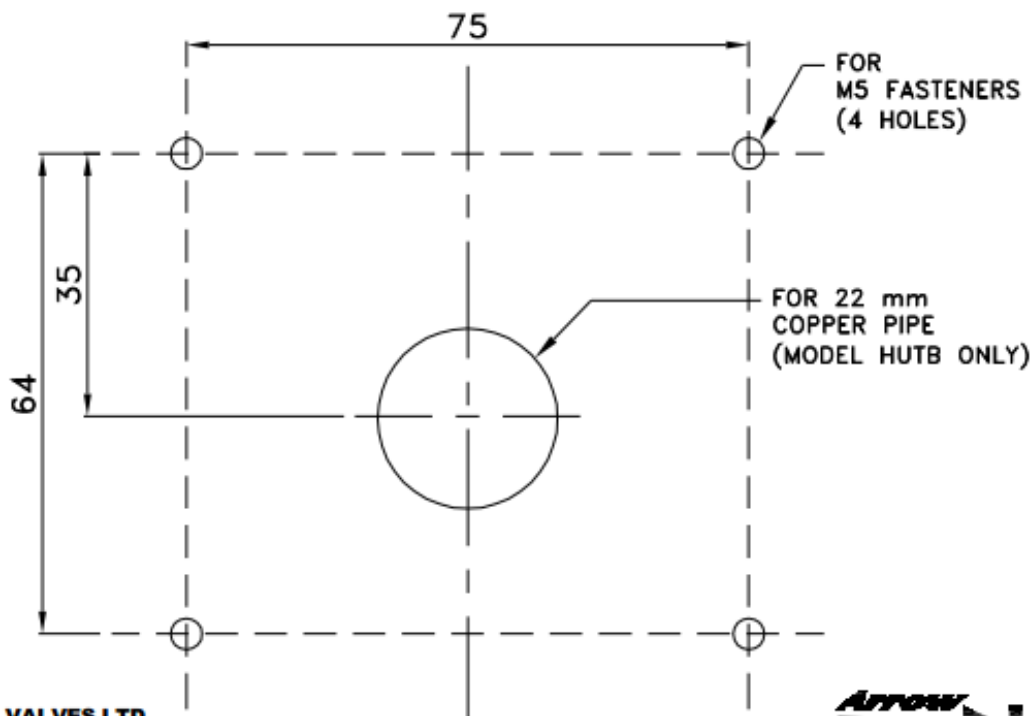


# INSTALLATION WALL TEMPLATE

## 22 mm "TAP BOX"

MODELS -

**HUTB / HUTBS / HUTBT / HUTG**



ARROW VALVES LTD  
t. 01442 823123  
www.arrowvalves.co.uk

