

Pressure Reducing Valve (PRV)

Model PRV535 – Light Industrial - Datasheet

Description

The 535 PRV from Arrow Valves is designed to provide a constant outlet pressure despite varying inlet pressures. The outlet pressure is adjustable between 1 – 6 bar. The inlet pressure must be higher than the desired outlet pressure.

The outlet pressure is factory set at 3 bar and adjustments can be made at any time by rotating the cap above the pressure indicator clockwise for higher pressure, anti-clockwise for lower.

A pressure gauge is supplied with each PRV, which indicates the outlet pressure. This may be removed and a plug fitted (supplied) if required. The gauge may be rotated half a turn to facilitate right and left configuration.

This direct acting PRV may be installed in horizontal or vertical pipes. Flat-faced unions enable the valve to be quickly installed and orientated and a range of connections are available to suit various pipes. Upstream and downstream Servicing Valves (SV) are **strongly recommended** to avoid draining for maintenance – e.g. cleaning internal strainer. Solder union connections are also available to eliminate the blow-out risk of inadequately tightened compression ends.

Connection Pipes

- Copper – Solder Unions or Compression
- Steel – Male Union BSP taper tails
- Plastic – Fittings available for most plastic systems

Specification

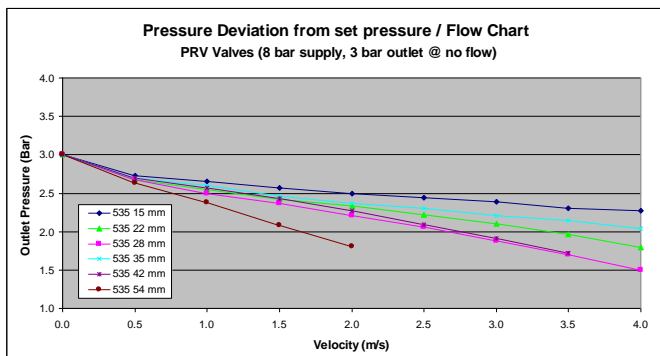
Pressure Inlet	25 bar max.
Pressure Outlet	1–6.0 bar
Pressure Factory Set	3 bar
Temperature	60° max.
Strainer	510 µm (0.51 mm)
Water Regulations Approval	1510022

Materials

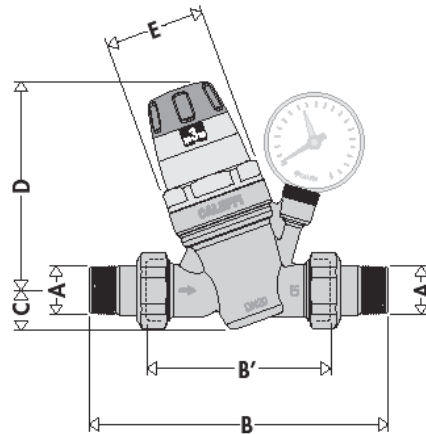
Body	DZR brass
Seat, Springs, Strainer	POM Acetal
Diaphragm, Seal	NBR

Applications

- Reducing excessive mains pressure
- Water conservation



Notes
Velocity based on flow of water through the bore of copper tube table X.



DN	A _M	A _{Cu}	B	B'	C	D	E	Kg
15	½"	15	140	76	20,5	112	54	0,92
20	¾"	22	160	90	20,5	112	54	1,06
25	1"	28	180	95	20,5	112	54	1,38
32	1¼"	35	200	110	40	178	73	2,6
40	1½"	42	220	120	40	178	73	3,4
50	2"	54	250	130	40	178	73	4,3

Codes and Descriptions

Size	Code	Description
15 – 54 mm	PRVsizeSU535	535 PRV, Gauge 1-6 bar Solder Union
DN15 - 50	PRVsizeMU535	535 PRV 1-6 bar Male Union Gauge

Options

- A plug can be fitted in place of the gauge (supplied)
- For lower head loss refer to PRV536 & PRV1300

Arrow Valves Ltd

Tel: 01442 823123 Fax: 01442 823234
www.arrowvalves.co.uk

Arrow Valves Ltd reserve the right to change specifications, design and materials at any time without notice.
All unit-less dimensions in mm.
© Copyright Arrow Valves Ltd 2001-2019

